



## AD1314

### ENVIRONMENTAL CAMERA HOUSING



#### FEATURES

- Indoor/outdoor housing
- Housing length accommodates most cameras and zoom lenses
- Cover opens 180° for easy camera access
- Tough, high-impact polymer construction
- IP4/NEMA-3R protection
- Automatic regulating heater available
- 24 VAC blower, optional
- 24 VAC heater, optional
- Tamper resistant
- Electrically isolated camera platform
- Multiple cable pass mounts available

The AD1314 is a high quality environmental housing designed for most CCD cameras and zoom lenses. This polycarbonate housing provides excellent protection for the installed camera. The unique 180° opening of the cover provides full and easy access to the camera and lens for trouble-free installation and servicing.

The camera platform can be securely attached in any position along the full length of the housing. This platform is constructed of a rigid non-conductive material which helps to eliminate common grounding problems.

In cold weather climates, or where condensation problems exist, the optional blower and low current heater automatically regulates its output to provide heat in the housing and maintain a clear viewing window.

# AMERICAN DYNAMICS ENVIRONMENTAL CAMERA HOUSING

## SPECIFICATIONS

### Model Numbers

AD1314	.....	Environmental Camera Housing
AD1314-HB24*	.....	Environmental Camera Housing 24 VAC heater and blower installed
RTHOUTDR*	.....	Environmental Camera Housing with wall mount and 24 VAC heater and blower installed

\* This housing must be powered by a Class II source. This housing is to be used with a camera that meets Class II requirements.

### Mechanical

#### Construction

Housing	.....	Magnum® 941 Polymer
Viewing Window	.....	4.8 mm (0.19 in) Lexan®
Color	.....	Light gray
Finish	.....	Epoxy
Dimensions (H x W x D)	.....	141 x 158 x 449 mm (5.56 x 6.2 x 17.68 in)

#### Unit Weight

Without Sunshield	.....	1.8 kg (4.0 lbs)
Shipping Weight	.....	2.4 kg (3.3 lbs)
With Sunshield	.....	3.2 kg (7.0 lbs)
Shipping Weight	.....	3.8 kg (8.4 lbs)
Cable Entry	.....	Via cable pass mount

#### Maximum Camera/

Lens Length .....304.8 mm (12 in)

#### Heater

Type	.....	Thermostatically controlled pad heater
Supply Voltage	.....	24 VAC
Power	.....	0.63 A
Weight	.....	.68 g (0.15 lbs)

### Environmental

Weatherproof Standard	.....	IP4 (NEMA-3R)
Operating Temperature	.....	-23° to 43° C (-10° to 110° F) with heater and blower 85% (non-condensing)

### Accessories

AD1314-SS	.....	Sunshield
AD1314-H24	.....	24 VAC heater
AD1314-B24	.....	24 VAC blower

#### Recommended Housing Mounts

ADCHMTCEIL	.....	Ceiling mount 9.6 kg (20 lbs) capacity
ADCHMTWALL	.....	Wall mount 9.6 kg (20 lbs) capacity
ADCHMTPOLE	.....	Pole mount 9.6 kg (20 lbs) capacity
ADCHMTCRNR	.....	Corner mount 9.6 kg (20 lbs) capacity
ADCHMTPED	.....	Pedestal mount 9.6 kg (20 lbs) capacity

### Regulatory

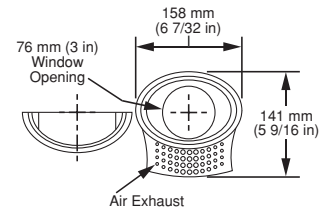
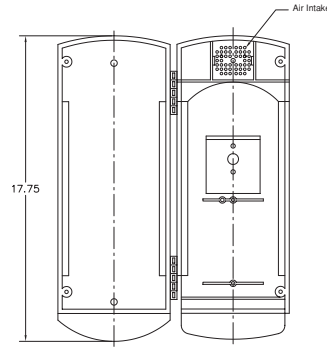
Safety	.....	UL2044
--------	-------	--------



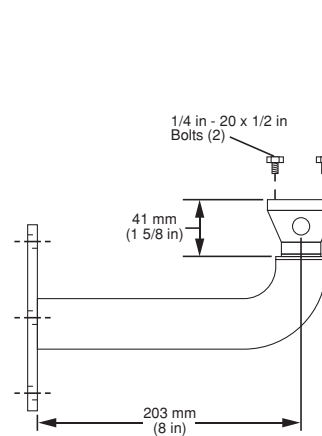
Housing with Sunshield



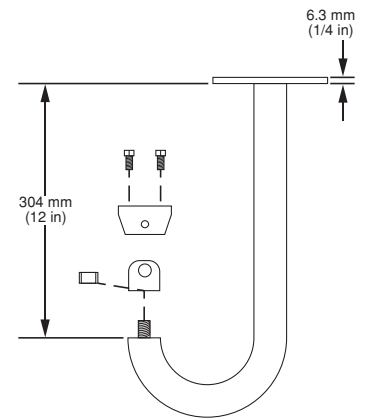
Housing in open position



Housing

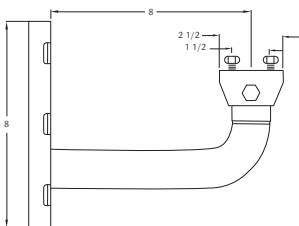


Wall Mount Side View  
ADCHMTWALL

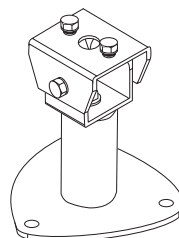


Ceiling Mount Side View  
ADCHMTCEIL

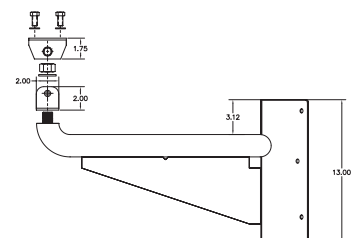
### Mounts



Pole Mount Side View  
ADCHMTPOLE



Pedestal Mount Side View  
ADCHMTPED



Corner Mount Side View  
ADCHMTCRNR